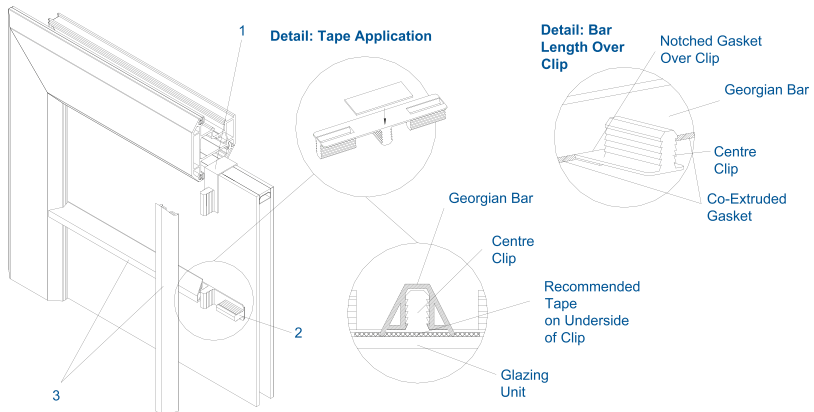


Snap On Georgian Bar Fixing Instructions Method Statement

1. Edge Clip
2. Centre Clip
3. Georgian Bar



Step 1

Place edge clips in the required positions around the sealed glazing unit.

Step 2

Glaze window as per manufacturing and glazing instructions in the applicable Technical Manual. Ensure that clips have retained their position prior to final beading. Adjustment of clip position following final beading should be minimal.

Step 3

Accurately align the centre clip to the edge clips. Once located the clip can be fixed using a length, approximately 40mm, of double-sided tape (see Notes 1 and 2). This should be placed in the centre of the underside of the clip, as shown above. Prior to tape application ensure all surfaces are clean, dry and free of grease.

Step 4

Precisely cut and mitre the full length bar. This should always be shortest span for increased rigidity. **To avoid arching of full-length bars, notch out the co - extruded gaskets where the bar crosses the centre clip. This should allow the bar to sit flat against the glass. See Detail: Bar Length Over Clip and note 3.**

Step 5

Cut and mitre the remaining bars prior to fitting ensure the lengths are cut accurately.

For spans greater than 300mm a single bridging clip and a patch of tape should be used at midpoints to increase rigidity

Repeat Steps 1-5 for opposite side.

Notes:

1. In controlled factory glazing or for onsite application above 0°C, it is recommended that 3M VHB+ 1.1mm tape is used. The characteristics of the tape will allow for strong bonding in such conditions. The tape may produce a gap approximately 0.5mm between bar and glazing unit at the centre clip, however this will not affect performance.
2. Surfaces to be bonded should be cleaned with 3M VHB surface cleaner 4095 as per instructions on bottle.
3. Thermal expansion allowance in cutting size should be used: White PVCU allow 1.6mm/m, Coloured/Foiled allow 2.4mm/m. Bar lengths should be processed at minimum 17°C up to standard workshop temperature (assumed 21°C).
4. Bars should be stored flat & in a dry, clean environment, in manufacturers packaging & away from direct sunlight. Clips should be kept in delivery packaging until required to avoid airborne dust to contaminate the areas to be taped. Tapes should be stored at room temperature and used within a period of 12 months.
5. Care should be taken during any further transportation to ensure bar lengths are suitable for application.